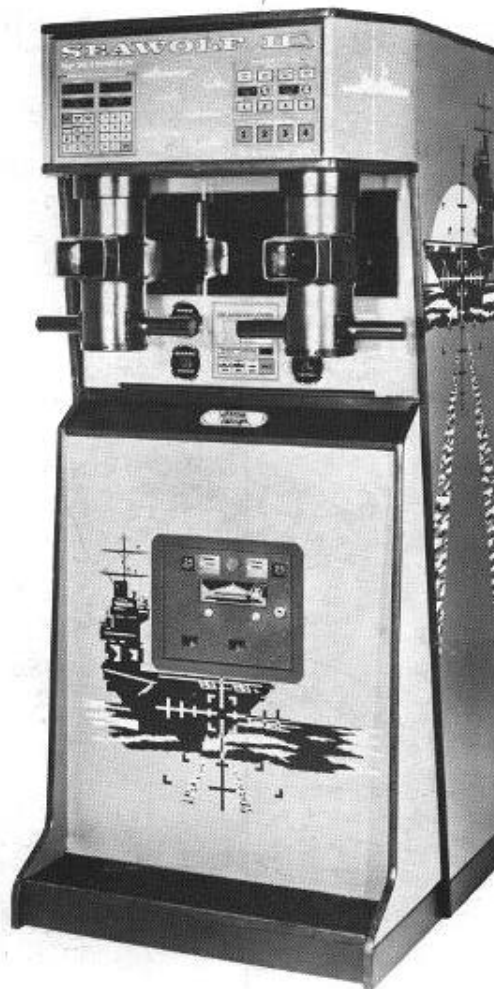


GAME NO. 625  
JUNE 1, 1978

# **MIDWAY'S SEAWOLF II PARTS CATALOG**



**MIDWAY MFG. CO.**

A BALLY COMPANY

10750 WEST GRAND AVENUE  
FRANKLIN PARK, ILLINOIS 60131  
U.S.A.

PHONE: (312) 451-1360    CABLE ADDRESS: MIDCO    TELEX NO.: 72-1596

# TABLE OF CONTENTS

---

	Page No.
GENERAL INSTRUCTIONS	1
VISUAL ADJUSTMENTS	2
SWITCH ADJUSTMENTS (FIRST 500 GAMES)	3
SWITCH ADJUSTMENTS (POST 500 GAMES)	4
NO. 625 — SEA WOLF II — PICTURE	5—7
PERISCOPE MIRROR & LIGHT BOX ASSEMBLY	8—10
PERISCOPE TUBE ASSEMBLY	12—13
FRONT DOOR ASSEMBLY	14—15
TRANSFORMER BOARD ASSEMBLY	16—17
ADDITIONAL PARTS LIST	18
GAME BOARD COMPONENTS LAYOUT (D-VERSION)	19
GAME BOARD COMPONENTS LAYOUT (E-VERSION)	20
MOTHER BOARD COMPONENTS LAYOUT (B-VERSION)	21
MOTHER BOARD COMPONENTS LAYOUT (C-VERSION)	22
POWER SUPPLY COMPONENTS LAYOUT	23
POWER SUPPLY SCHEMATIC	24
MONITOR SCHEMATIC	25
CHARACTERIZATION CARD	26
WELLS GARDNER MONITOR SCHEMATIC	27
WELLS GARDNER PARTS LIST	28—29
25-INCH COLOR MONITOR SCHEMATIC—MODEL G02	30
COLOR MONITOR PARTS LIST	31

## WARNING

**THIS GAME MUST BE GROUNDED. FAILURE TO DO SO MAY  
RESULT IN DESTRUCTION TO ELECTRONIC COMPONENTS.**

**SWITCH ADJUSTMENTS  
THE FIRST (500) GAMES**

**COIN ADJUSTMENT SWITCHES**

	SW. 1	SW. 2
1 COIN – 1 PLAYER	ON	ON
2 COINS – 2 PLAYERS		
1 COIN – 1 PLAYER	OFF	ON
1 COIN – 2 PLAYERS		
2 COINS – 1 PLAYER	OFF	OFF
2 COINS – 2 PLAYERS		
2 COINS – 1 PLAYER	ON	OFF
4 COINS – 2 PLAYERS		

**TIME ADJUSTMENT SWITCHES**

	SW. 3	SW. 4
70 SEC. – 1 PLAYER; EXTENDED PLAY 35 SEC.	OFF	OFF
90 SEC. – 2 PLAYERS; EXTENDED PLAY 45 SEC.		
60 SEC. – 1 PLAYER; EXTENDED PLAY 30 SEC.	ON	OFF
75 SEC. – 2 PLAYERS; EXTENDED PLAY 35 SEC.		
50 SEC. 1 PLAYER; EXTENDED PLAY 25 SEC.	OFF	ON
60 SEC. – 2 PLAYERS; EXTENDED PLAY 30 SEC.		
40 SEC. – 1 PLAYER; EXTENDED PLAY 20 SEC.	ON	ON
45 SEC. – 2 PLAYERS; EXTENDED PLAY 20 SEC.		

**EXTENDED PLAY ADJUSTMENT SWITCHES**

	SW. 5	SW. 6
NO EXTENDED PLAY	OFF	OFF
EXTENDED PLAY AT 5000 SCORE	ON	OFF
EXTENDED PLAY AT 6000 SCORE	OFF	ON
EXTENDED PLAY AT 7000 SCORE	ON	ON

**MONITOR SELECTOR SWITCH**

	SW. 7
GAME EQUIPPED WITH COLOR MONITOR	ON
GAME EQUIPPED WITH BLACK AND WHITE MONITOR	OFF

**PLAY-TEST SWITCH**

	SW. 8
PLAY MODE	ON
TEST (SEE SEPARATE INSTRUCTION SHEET FOR TEST PROCEDURES.)	OFF

## SWITCH ADJUSTMENTS

### POST (500) GAMES

#### COIN ADJUSTMENT SWITCHES

1 COIN - 1 PLAYER	SW. 1	SW. 2
2 COINS - 2 PLAYERS	ON	ON
1 COIN - 1 PLAYER	OFF	ON
1 COIN - 2 PLAYERS	OFF	ON
2 COINS - 1 PLAYER	OFF	OFF
2 COINS - 2 PLAYERS	OFF	OFF
2 COINS - 1 PLAYER	ON	OFF
4 COINS - 2 PLAYERS	ON	OFF

#### TIME ADJUSTMENT SWITCHES

70 SEC. - 1 PLAYER; EXTENDED PLAY 35 SEC.	SW. 3	SW. 4
90 SEC. - 2 PLAYERS; EXTENDED PLAY 45 SEC.	OFF	OFF
60 SEC. - 1 PLAYER; EXTENDED PLAY 30 SEC.	ON	OFF
75 SEC. - 2 PLAYERS; EXTENDED PLAY 35 SEC.	ON	OFF
50 SEC. 1 PLAYER; EXTENDED PLAY 25 SEC.	OFF	ON
60 SEC. - 2 PLAYERS; EXTENDED PLAY 30 SEC.	OFF	ON
40 SEC. - 1 PLAYER; EXTENDED PLAY 20 SEC.	ON	ON
45 SEC. - 2 PLAYERS; EXTENDED PLAY 20 SEC.	ON	ON

#### EXTENDED PLAY ADJUSTMENT SWITCHES

NO EXTENDED PLAY	SW. 5	SW. 6
EXTENDED PLAY AT 5000 SCORE	OFF	OFF
EXTENDED PLAY AT 6000 SCORE	ON	OFF
EXTENDED PLAY AT 7000 SCORE	OFF	ON
EXTENDED PLAY AT 7000 SCORE	ON	ON

#### MONITOR SELECTOR SWITCH

GAME EQUIPPED WITH COLOR MONITOR	SW. 7
GAME EQUIPPED WITH BLACK AND WHITE MONITOR	ON
GAME EQUIPPED WITH BLACK AND WHITE MONITOR	OFF

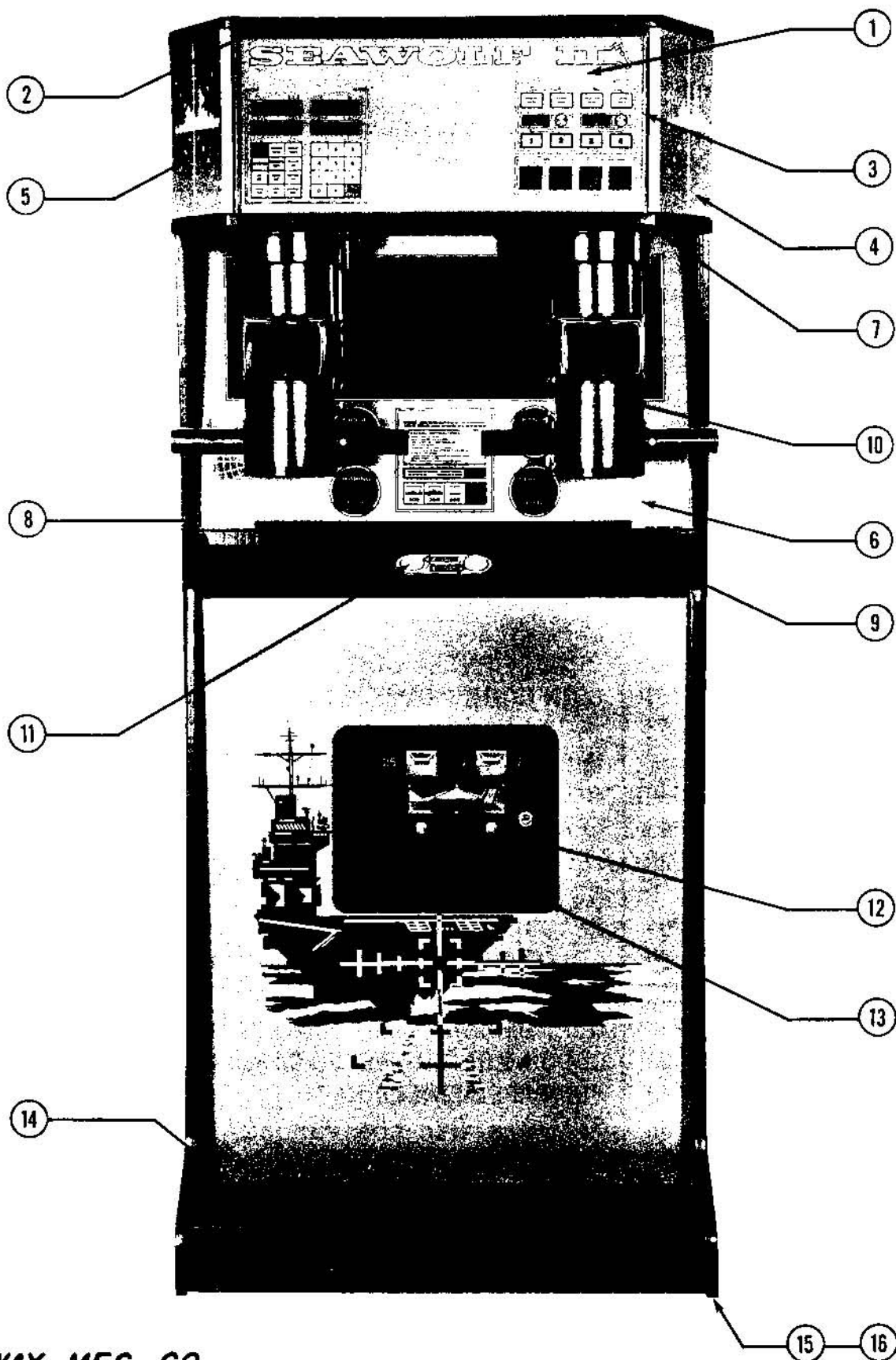
#### PLAY-TEST SWITCH

PLAY MODE	SW. 8
TEST (SEE SEPARATE INSTRUCTION SHEET FOR TEST PROCEDURES.)	ON
TEST (SEE SEPARATE INSTRUCTION SHEET FOR TEST PROCEDURES.)	OFF

#### LANGUAGE ADJUSTMENT SWITCH (4 POSITION)

ENGLISH	SW. 1	SW. 2
GERMAN	OFF	OFF
FRENCH	OFF	ON
FRENCH	ON	OFF

NO. 625 - SEA WOLF II - PICTURE



NO. 625 - SEA WOLF II - PICTURE

ORDER BY PART NUMBER ONLY

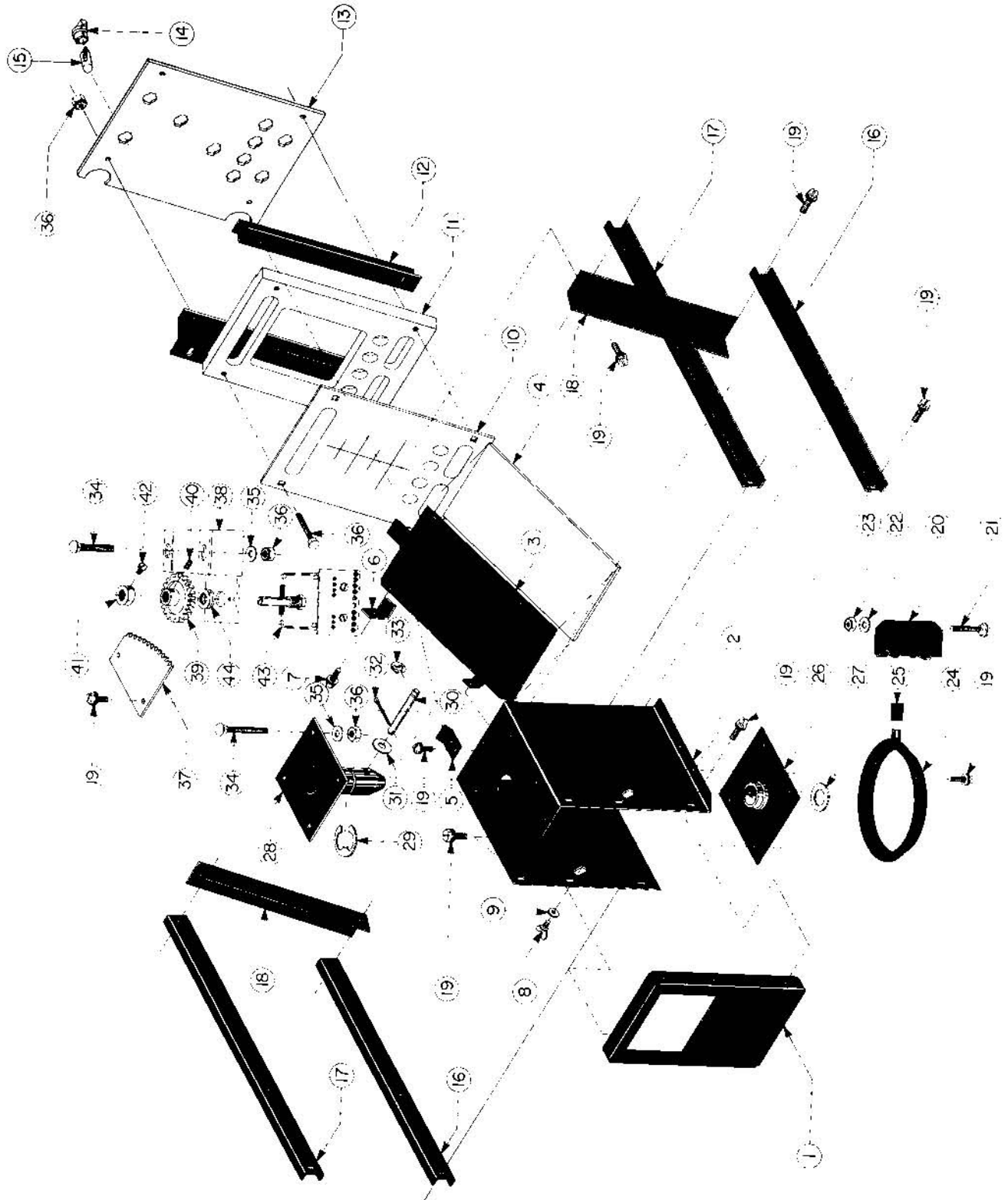
ITEM	PART NO	DESCRIPTION
1	0625-00901-00SC	UPPER DISPLAY PLEX - 24 1/4" x 10 1/2"
2	0537-00903-0015	GLASS CHANNEL - 24.2" (2 REQ'D.)
3	0537-00903-0040	GLASS CHANNEL - 9.8" (2 REQ'D.)
4	0625-00102-01SC	SIDE WRAP AROUND PANEL - RIGHT
5	0625-00102-02SC	SIDE WRAP AROUND PANEL - LEFT
	0017-00101-0023	#8 x 3/8 PHIL. TRUSS HD. S.M.S. (6 REQ'D.)
6	0625-00900-01SC	LOWER DISPLAY PLEX - 31-3/16" x 19-5/16"
7	0537-00903-0039	GLASS CHANNEL - 31.1"
8	0537-00903-0019	GLASS CHANNEL - 18.5"
9	0537-00138-0800	GLASS LIFT CHANNEL - 31-11/16"
10	A625-00013-0000	PERISCOPE TUBE ASSY.
11	0612-00006-0000	PUSH BUTTON ASSY. (2 REQ'D.)
	0625-00905-00SC	BUTTON ESCUTHEON
	0586-00107-0000	MOUNTING BRACKET (2 REQ'D.)
	0586-00036-0000	SWITCH (2 REQ'D.)
	0020-00202-0000	SWITCH PLATE (2 REQ'D.)
	0017-00101-0521	#5-40 x 3/8 R.H.M.S. (4 REQ'D.)
12	A090-00020-02GR	DOUBLE ENTRY COIN DOOR ASSY. W/PLUG
13	0090-00002-02GR	COIN DOOR FRAME
	0017-00101-0555	#6-32 x 5/16 HEX HD. S.M.S. (3 REQ'D.) (MOUNTS DOOR TO FRAME)
14	0625-00908-0000	RUBBER MATT
15	0017-00102-0048	LEG LEVELERS (4 REQ'D.)
16	0017-00103-0026	LEG LEVELER NUTS (4 REQ'D.)
		<u>NOT SHOWN LIST</u>
	0017-00003-0204	25" COLOR MONITOR
	0625-00108-0100	COLOR MONITOR MTG. BRKT. - RIGHT
	0625-00108-0200	COLOR MONITOR MTG. BRKT. - LEFT
	0625-00118-0000	CHASSIS HOLD DOWN BRKT. (4 REQ'D.)
	0625-00904-0000	COLOR MONITOR BEZEL CARDBOARD
	0625-00910-0000	FISHPAPER SHIELD
	0017-00003-0198	23" MOTOROLA MONITOR (B&W VERSION)
	0017-00003-0199	23" PICTURE TUBE
	0625-00105-0100	FRONT T.V. MTG. BRKT. - RIGHT
	0625-00105-0200	FRONT T.V. MTG. BRKT. - LEFT
	0625-00106-0100	REAR T.V. MTG. BRKT. - RIGHT
	0625-00106-0200	REAR T.V. MTG. BRKT. - LEFT
	A625-00007-0000	CHASSIS & SHELF ASSY.

NO. 625 – SEA WOLF II – PICTURE

*ORDER BY PART NUMBER ONLY*

ITEM	PART N <sup>o</sup>	DESCRIPTION
	0592-00104-0100	CHASSIS MTG. BRKT. – RIGHT
	0592-00104-0200	CHASSIS MTG. BRKT. – LEFT
	0017-00101-0639	#8-32 x 1-1/4 CARRIAGE BOLTS (TOTAL REQ'D. FOR ALL BRKTS. – 12)
	0017-00104-0022	#8 STEEL WASHER (TOTAL REQ'D. FOR ALL BRKTS. – 12)
	0017-00103-0061	#8-32 HEX LOCKNUT S.E.M.S. (TOTAL REQ'D. FOR ALL BRKTS. – 12)
	0161-00100-0000	T.V. MOUNTING WASHERS (4 REQ'D.)
	A625-00035-0000	TUBE BEZEL ASSY.
	A161-00002-0000	DAG SPRING ASSY.
	3000-17155-0000	GROUND STRAP
	0596-00130-0000	GLASS LOCKING BRKTS. (2 REQ'D.)
	0596-00143-0000	GLASS LOCK LATCH (2 REQ'D.)
	0017-00101-0027	#8 x 3/4 WOOD SCREWS (TOTAL REQ'D. – 8)
	0625-00112-0000	GLASS RETAINING BRKTS. (2 REQ'D.)
	0017-00101-0028	#8 x 3/4 HEX HD. WD. SCRS. (4 REQ'D.)
	0625-00902-0000	REGULAR MIRRORPANE – 31-7/8 x 12-1/4 – 1ST 750 GAMES
	0625-00902-0100	REGULAR MIRRORPANE – 29-7/8 x 12-1/4 – POST 750 GAMES
	0625-00120-0000	MIRROR HOLD DOWN BRKTS. (2 REQ'D.)
	0017-00101-0017	#6 x 1/2 HEX HD. WD. SCRS. (4 REQ'D.)
	A625-00032-0000	DISPLAY INSERT ASSY. – CONSISTING OF NEXT 4 ITEMS)
	0017-00031-0027	SOCKETS (4 REQ'D.)
	0017-00031-0002	SOCKETS (5 REQ'D.)
	0017-00003-0052	LAMPS (9 REQ'D.)
	0017-00101-0018	#6 x 3/4 HEX. HD. WOOD SCREWS (2 REQ'D.)
	0567-00106-0000	SWITCH PLATE
	0586-00036-0000	ON-OFF SWITCH
	0625-00131-0000	PROTECTIVE STOOL TRIM

**NO. 625 – SEA WOLF II – PERISCOPE MIRROR & LIGHT BOX ASSY.**





NO. 625 — SEA WOLF II — PERISCOPE MIRROR & LIGHT BOX ASSY.

*ORDER BY PART NUMBER ONLY*

ITEM	PART N <sup>o</sup>	DESCRIPTION
1	0596-00112-0000	BACK PLATE
2	0596-00109-0000	MIRROR HOUSING
3	0596-00005-0000	MIRROR MTG. PLATE ASSY.
4	0596-00911-0000	TOP PERISCOPE MIRROR
5	0596-00111-0000	MIRROR ADJUSTING BRACKET
6	0596-00115-0000	MIRROR MTG. CLIP (4 REQ'D.)
7	0017-00101-0555	#6-32 x 5/16 HEX HD. S/T M.S. (4 REQ'D.)
8	0017-00101-0784	#8-32 x 3/8 WING SCREW (2 REQ'D.)
9	0017-00104-0030	#8 STL. FLAT WASHER (2 REQ'D.)
10	0625-00906-00SC	LIGHT BOX ARTWORK — CROSS HAIRS
11	0625-00502-0000	CROSS HAIR LIGHT BOX
12	0596-00126-0000	LIGHT BOX MTG. BRKT. (2 REQ'D.)
13	A084-91100-A625	PRINTED CIRCUIT ASSY.
14	0017-00031-0029	MINATURE WEDGE BASE LAMP SOCKET (10 REQ'D.)
15	0017-00003-0219	LAMPS — 4 TOP POSITIONS (4 REQ'D.)
15	0017-00003-0218	LAMPS — 6 BOTTOM POSITIONS (6 REQ'D.)
16	0596-00121-0300	SUPPORT CHANNELS — 11-3/8" (2 REQ'D.)
17	0596-00121-0400	SUPPORT CHANNELS — 13" (2 REQ'D.)
18	0596-00127-0000	MOUNTING FLANGE — LIGHT BOX (2 REQ'D.)
19	0017-00101-0598	#8-32 x 5/16 HEX HD. S/T M.S. (33 REQ'D.)
20	A625-00002-0000	STOP BRKT. & MTG. PLATE
21	0017-00101-0701	#10-32 x 1-1/4 CARRIAGE BOLTS - M.S. (3 REQ'D.)
22	0017-00104-0004	#10 LOCKWASHER (3 REQ'D.)
23	0017-00103-0010	#10-32 HEX NUT (3 REQ'D.)
24	A625-00017-0000	FLANGE TUBE & STOP PIN ASSY. — LEFT
24	A625-00017-0100	FLANGE TUBE & STOP PIN ASSY. — RIGHT
25	0596-00921-0000	RUBBER STOP
26	0596-00007-0000	BEARING PLATE ASSY.
27	0017-00104-0056	1" I.D. x 1-1/2 O.D. x 1/16 STL. FLAT WASHER
28	A625-00012-0000	PIVOT SHAFT ASSY.
29	0017-00100-0107	1" E-RING
30	0625-00703-0000	CLEVIS PIN
31	0017-00104-0035	STEEL WASHER — 5/8 x 1/4 x 1/16
32	0017-00007-0046	1/16 x 1" COTTER PIN
33	0017-00100-0025	1/4" E-RING
34	0017-00101-0639	#8-32 x 1-1/4 CARRIAGE BOLTS M.S. (10 REQ'D.)
35	0017-00104-0022	#8 STEEL WASHER (6 REQ'D.)

**NO. 625 – SEA WOLF II – PERISCOPE MIRROR & LIGHT BOX ASSY.**

***ORDER BY PART NUMBER ONLY***

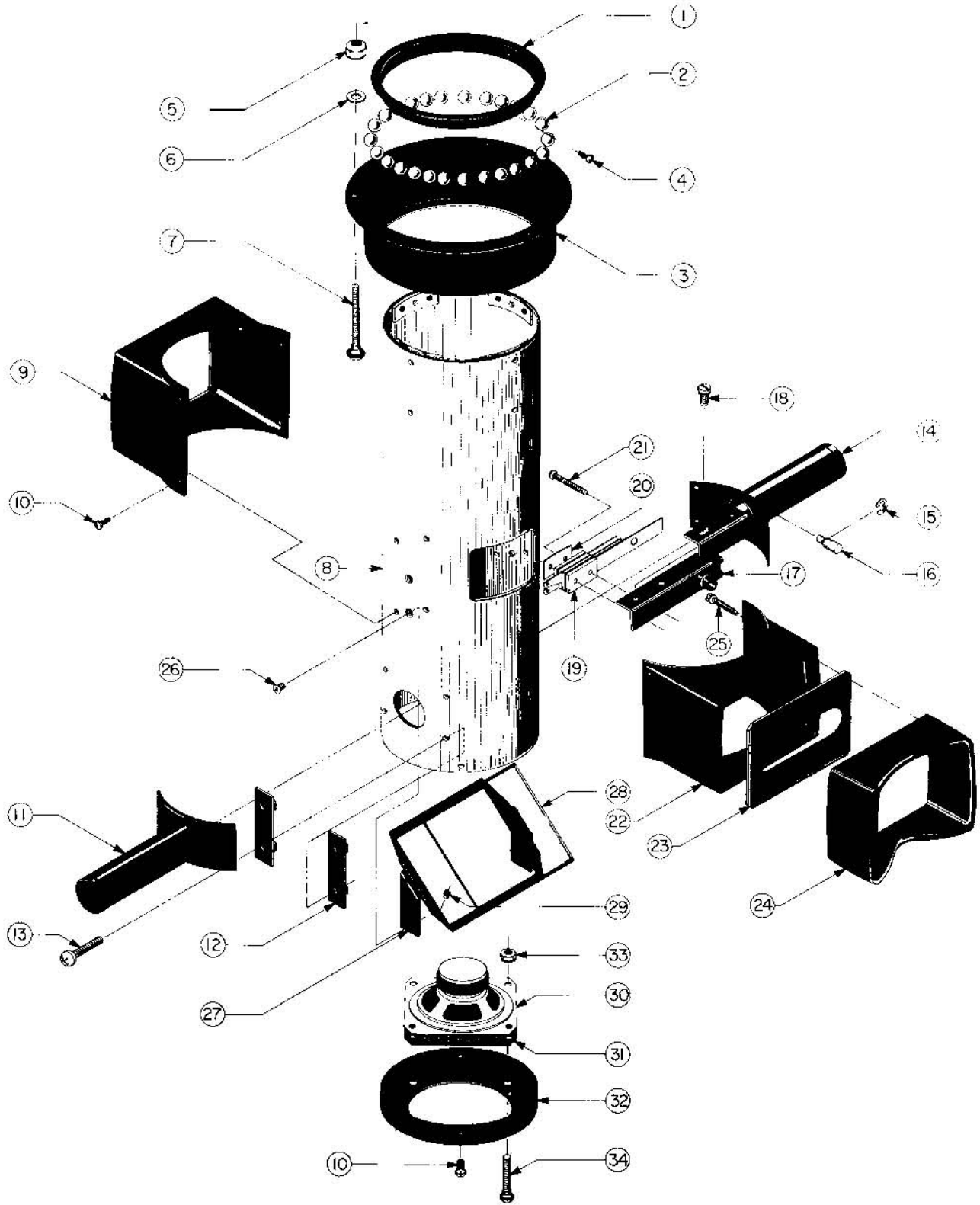
ITEM	PART NO	DESCRIPTION
36	0017-00103-0061	#8-32 HEX LOCKNUT (10 REQ'D.)
37	0625-00103-0000	GEAR SEGMENT PLATE
38	0625-00121-0000	POT MTG. BRKT.
39	0625-00909-0000	GEAR (ENCODER)
40	0017-00101-0308	#8-32 SET SCREW (2 REQ'D.)
41	0567-00700-0000	ADJUSTMENT NUT
42	0017-00101-0301	#6-32 SET SCREW
43	A082-91101-A000	ANGLE ENCODER SWITCH ASSY.
44		HARDWARE FOR ITEM #43 CONSISTING OF 3/8 INT. LOCKWASHER & 3/8-32 NUT

# NOTES

---

This space is provided for personal notes

**NO. 625 – SEA WOLF II – PERISCOPE TUBE ASSEMBLY**

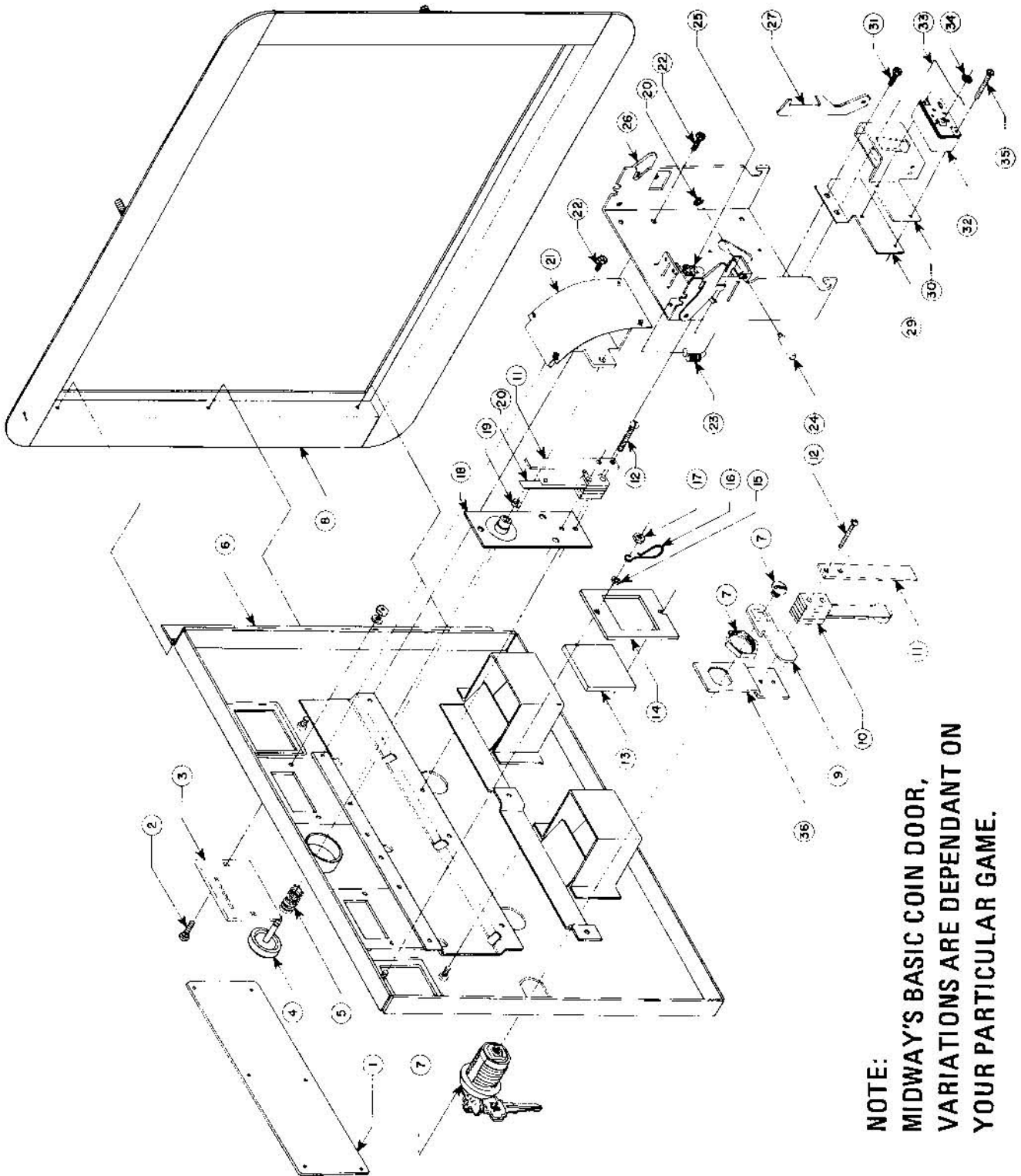


NO. 625 – SEA WOLF II – PERISCOPE TUBE ASSEMBLY

*ORDER BY PART NUMBER ONLY*

ITEM	PART NO	DESCRIPTION
1	0596-00107-0000	BALL RETAINER FLANGE
2	0017-00006-0052	STEEL BALL BEARING – 1/2" DIA. (37 REQ'D.)
3	0596-00100-0000	BEARING SUPPORT
4	0017-00101-0735	#10 x 1/2" LG. PHIL. PAN. HD. M.S. (4 REQ'D.)
5	0017-00103-0010	#10-32 HEX. NUT (3 REQ'D.)
6	0017-00104-0004	#10 LOCK WASHER (3 REQ'D.)
7	0017-00101-0701	#10-32 x 1-1/4 CARRIAGE BOLTS M.S. (3 REQ'D.)
8	0596-00018-0000	PERISCOPE TUBE & PLATE ASSY.
9	0596-00021-0000	FRONT EYE PIECE ASSY. (2 REQ'D.)
10	0017-00101-0734	#8 x 1/2 LG. PHIL. PAN. HD. M.S. (2 REQ'D.)
11	A625-00019-0200	HANDLE BRAZING ASSY. (NO HOLE)
12	0596-00022-0000	BACK UP PLATE ASSY. (4 REQ'D.)
13	0017-00101-0658	#10-32 x 5/8 LG. PHIL. HD. M.S. (8 REQ'D.)
14	A625-00020-0000	HANDLE SWITCH BRKT. WELDING ASSY.
15	0017-00100-0018	"E" RING
16	0625-00705-0000	BUTTON
17	A625-00022-0000	SWITCH MTG. BRKT. & BUSHING ASSY.
18	0017-00101-0593	#8-32 x 1/4 PAN. HD. SEMS M.S. (2 REQ'D.)
19	A625-00021-0000	TRIGGER SWITCH BLADE ASSY.
20	0020-00202-0000	SWITCH PLATE
21	0017-00101-0524	#5-40 x 1/2" LG. PAN HD. M.S. (2 REQ'D.)
22	0545-00904-0000	EYE PIECE BASE (2 REQ'D.)
23	0545-00100-0100	SCREENED FRONT GLASS (2 REQ'D.)
24	0545-00903-0000	EYE PIECE (2 REQ'D.)
25	0017-00101-0027	#8 x 3/4 LG. HEX HD. W/W S.M.S. (8 REQ'D.)
26	0017-00101-0694	#4-40 x 5/16 PAN HD. M.S. (4 REQ'D.)
27	0596-00002-0000	MIRROR BRKT. ASSY.
28	0596-00900-0000	PERISCOPE TUBE MIRROR
29	0017-00042-0115	SHOULDER WASHER (4 REQ'D.)
30	0017-00003-0161	SPEAKER
31	0625-00111-0000	SPEAKER GRILL
32	0625-00107-0000	PERISCOPE CAP
33	0017-00101-0061	#8-32 SEM LOCK NUT (4 REQ'D.)
34	0017-00101-0620	#8-32 x 1/2" CARRIAGE BOLTS M.S. (4 REQ'D.)

**NO. 625 – SEA WOLF II – FRONT DOOR ASSY.**



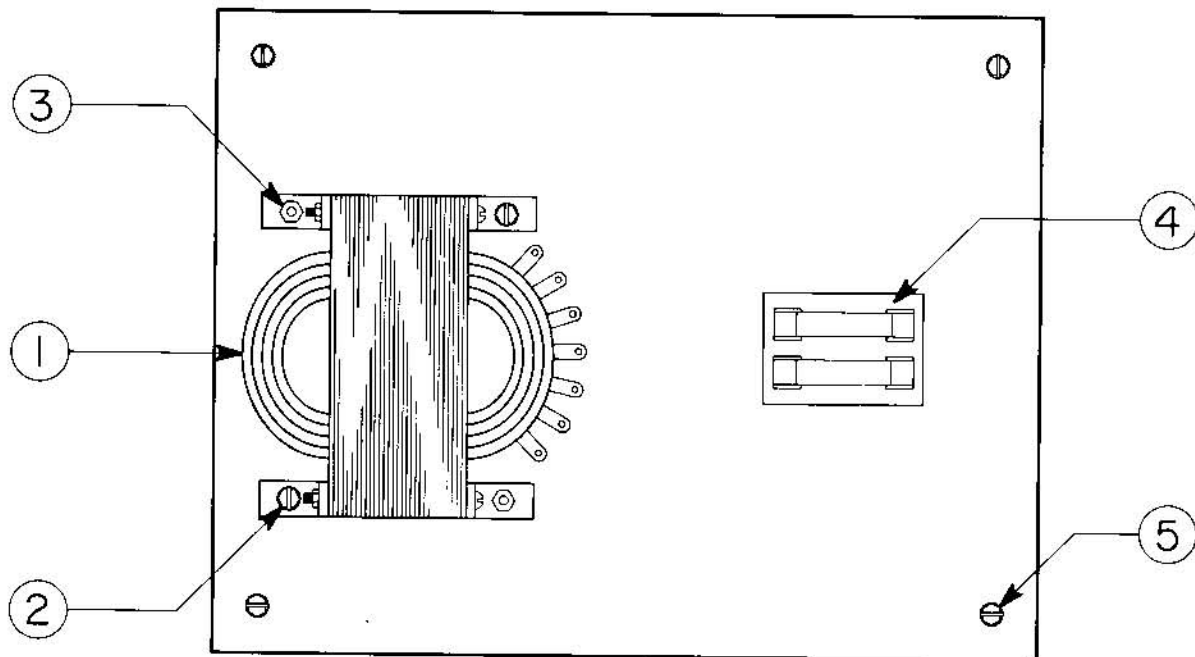
**NOTE:  
MIDWAY'S BASIC COIN DOOR,  
VARIATIONS ARE DEPENDANT ON  
YOUR PARTICULAR GAME.**

NO. 625 - SEA WOLF II - FRONT DOOR ASSY.

*ORDER BY PART NUMBER ONLY*

ITEM	PART N <sup>o</sup>	DESCRIPTION
1	0090-00902-0000 0090-00902-0100	DRESS PLATE DRESS PLATE (W/O PRESS BUTTON TO START GAME)
2	0017-00101-0552	6-32 x 1/4 CARRIAGE BOLT (2)
3	0090-00117-0300	COIN ENTRY PLATE (25¢)
4	0090-00906-0000	PLASTIC START BUTTON
5	0010-00007-0000	COMPRESSION SPRING
6	0090-00013-0200	DOOR ASSY. DOUBLE ENTRY
7	0017-00005-0050	DOOR LOCK & KEY WITH SCREW & NUT
8	0090-00002-02BR	DOUBLE DOOR FRAME
9	0017-00005-0041	421 N.S. CAM
10	0090-00901-0000	DOOR SWITCH
11	0090-00126-0100	SWITCH BACKUP PLATE
12	0017-00101-0528	5-40 x 3/4" LNG. M.S.
13	0090-00903-0040	25¢ WINDOW
14	0090-00143-0000	COIN PLEX RETAINER
15	0017-00104-0002	SPLIT LOCK WASHER
16	0017-00007-0019	KEY HOOK
17	0017-00103-0005	6-32 HEX NUT
18	0090-00010-0000	SW. PLATE & OILLITE ASSY.
19	0017-00100-0018	"E" RING
20	0090-00131-0000	SWITCH
21	0090-00104-0000	TOP & BTM. COIN CHUTE W/BRKT. ASSY.
22	0017-00101-0598	8-32 x 5/16 SCREW
23	0010-00181-0100	SPRING
24	0090-00129-0000	PIVOT POST
25	0010-00134-0000	SPRING
26	0090-00008-0000	ACCEPTOR FRAME ASSY.
27	0093-00155-0000	REJECTOR LEVER
28	0017-00100-0012	"E" RING
29	0093-00151-0000	COIN GUIDE MTG. BRACKET
30	0090-00005-0000	COIN GUIDE ASSY.
31	0017-00101-0555	6-32 x 5/16 SCREW
32	0017-00005-0039	COIN SWITCH
33	0010-00557-2500	TRIP WIRE
34	0017-00007-0132	PUSH-ON RING (BIK)
35	0017-00101-0507	#4-36 x 3/4 SCREW
36	0090-00128-0000	SWITCH BRKT. - DOOR TILT

**NO. 625 – SEA WOLF II – TRANSFORMER BOARD ASSY.**





NO. 625 – SEA WOLF II – TRANSFORMER BOARD ASSY.

*ORDER BY PART NUMBER ONLY*

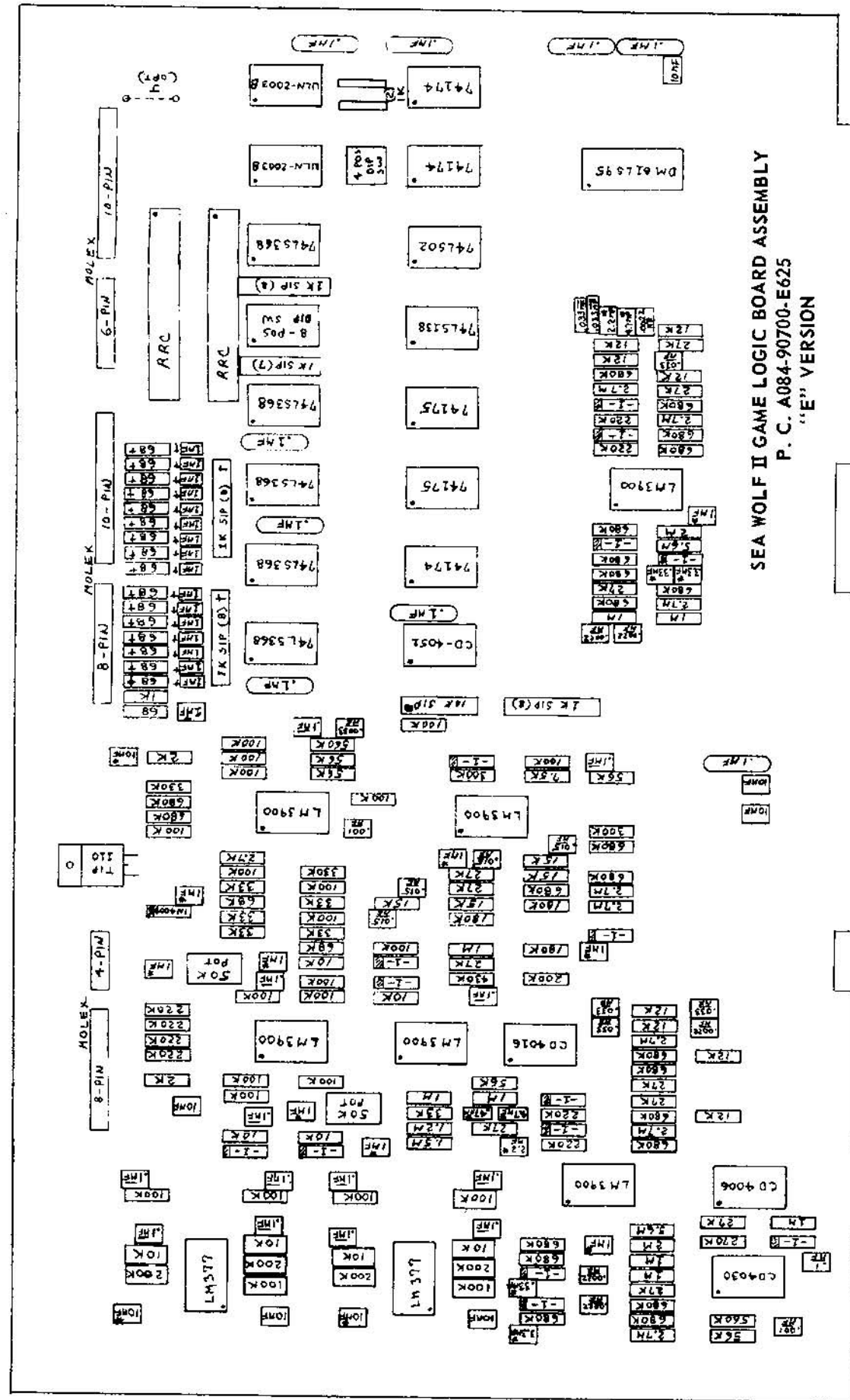
ITEM	PART NO	DESCRIPTION
1	MT00-00065-A000	TRANSFORMER – 60 CYCLE OR
1	MT00-00066-0000	TRANSFORMER – 50 CYCLE – (FOREIGN)
2	0017-00101-0025	#8 x 1/2 SLOT HEX HD. S.M.S. (2 REQ'D.)
3	0017-00101-0692	#8-32 x 7/8 CARRIAGE BOLTS (2 REQ'D.)
	0017-00103-0008	W #8-32 HEX NUT (2 REQ'D.)
4	0720-00001-0000	FUSE BLOCK ASSY. (2 POSITION)
5	0017-00101-0030	#8 x 1" HEX HD. WD. SCREW (4 REQ'D.)
		NOT SHOWN
	0017-00101-0017	#6 x 1/2 HEX HD. S.M.S. (5 REQ'D.)
	0017-00003-0064	LINE CORD

NO. 625 – SEA WOLF II – ADDITIONAL PARTS LIST

*ORDER BY PART NUMBER ONLY*

ITEM	PART NO	DESCRIPTION
	A625-00005-0000	UPPER BACK DOOR ASSY.
	A625-00006-0000	LOWER BACK DOOR ASSY.
	A097-00001-0000	LOCK ASSY. (1 REQ'D.-UPPER, 1 REQ'D.-LOWER)
	A625-00028-0000	CASH BOX ASSY.
	A625-00023-0000	CASH BOX COVER ASSY.
	A625-00024-0000	CASH BOX GUIDE BRKT. ASSY.
	0625-00117-0000	CASH BOX SIDE CHANNELS
	0017-00101-0628	#8-32 x 3/4 CARRIAGE BOLTS (4 REQ'D.)
	0017-00104-0022	#8 STL. WASHER (4 REQ'D.)
	0017-00103-0061	#8-32 HEX LOCKNUT S.E.M.S. (4 REQ'D.)
	0017-00003-0102	COUNTER METER (MOUNTS TO COIN DOOR)
	0625-00912-0000	FISHPAPER CABLE SHIELD
	0017-00009-0009	TURN BUTTONS (2 REQ'D.)
	A625-00030-0000	ROTARY ENCODER & BRKT. ASSY. (2 REQ'D.)
	A597-00012-0100	P.C. SUPPORT BRKT. ASSY. – RIGHT
	A597-00012-0200	P.C. SUPPORT BRKT. ASSY. – LEFT
	0624-00902-0100	P.C. SUPPORT BRKT. – 12" (2 REQ'D. - POWER SUPPLY, 2 REQ'D. - MOTHER & GAME BRD.)
	0624-00902-0300	P.C. SUPPORT BRKT. – 2-1/2" (2 REQ'D. - POWER SUPPLY, 2 REQ'D. – MOTHER & GAME BRD.)
	0017-00101-0017	#6 x 1/2 HEX HD. WOOD SCREWS (20 REQ'D. - TOTAL REQ'D. FOR ALL P.C. SUPPORT BRKTS.)
	A084-90002-B625	MOTHER BOARD ASSY. (B-VERSION)
	A084-90002-C625	MOTHER BOARD ASSY. (C-VERSION)
	A084-90700-D625	GAME BOARD ASSY. (D-VERSION)
	A084-90700-E625	GAME BOARD ASSY. (E-VERSION)
	A625-00018-0000	TRANSFORMER BOARD ASSY.
	A082-90401-B000	POWER SUPPLY BOARD
	A084-91312-B625	CHARACTERIZATION CARD
	0017-00009-0419	PIN EXTRACTOR TOOL (PIN POPPER)

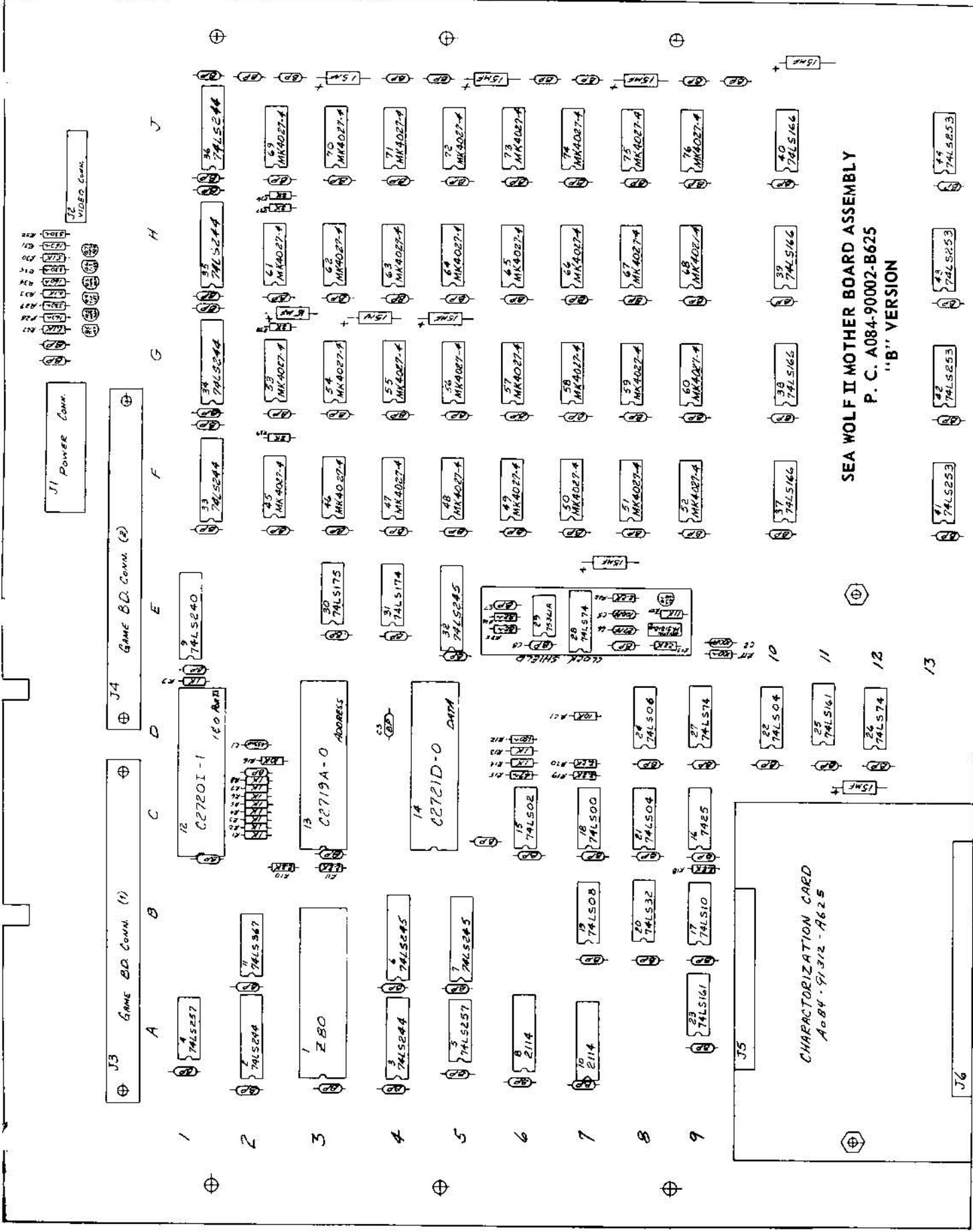




**SEA WOLF II GAME LOGIC BOARD ASSEMBLY**  
**P. C. A084-90700-E625**  
**"E" VERSION**

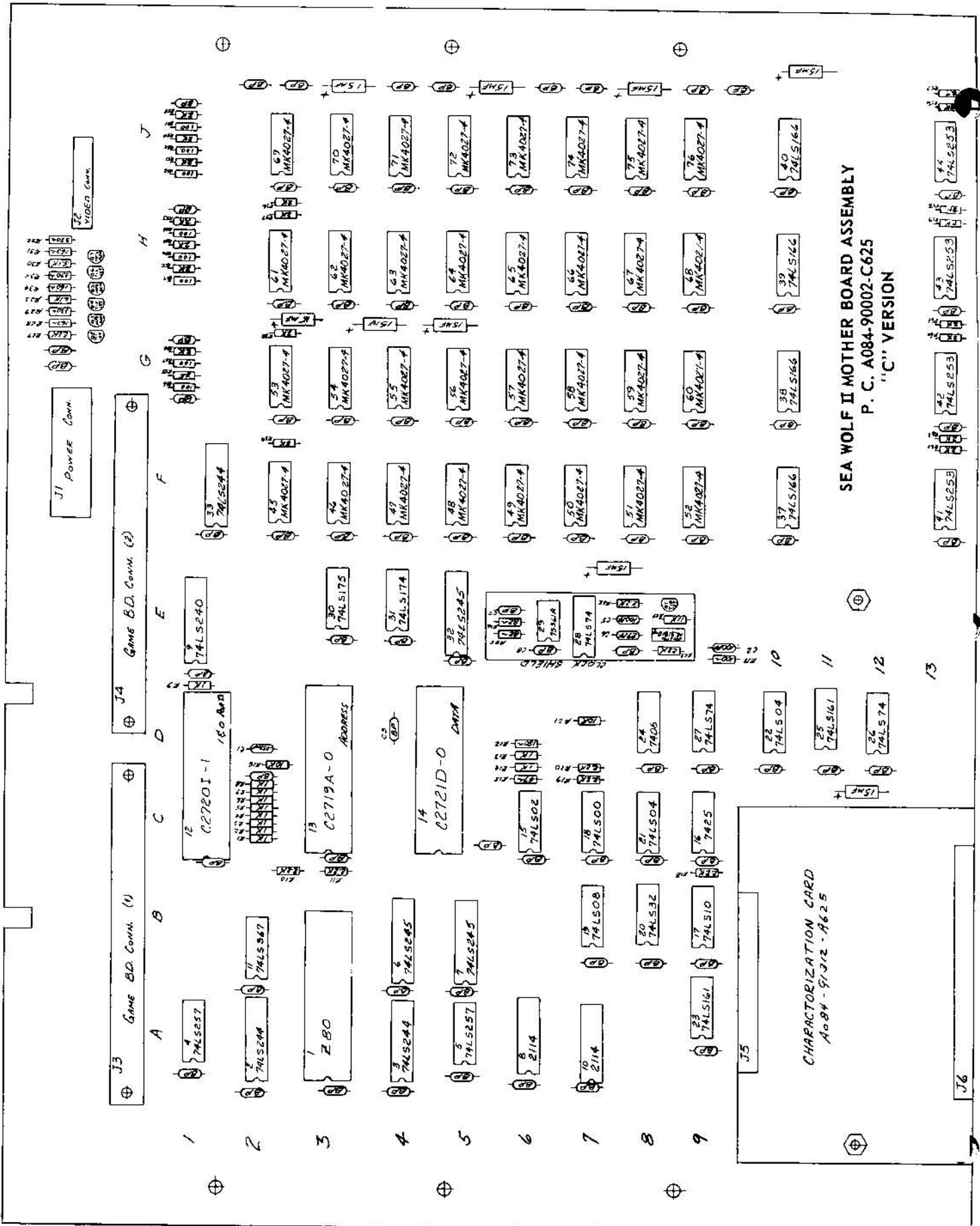
**MIDWAY MFG. CO.**  
 A BALLY COMPANY

- NOTES: WHEN USING "RRCC" NETWORKS  
 OMIT COMPONENTS WITH A "1".
- - SPECIAL SERIES SIP
  - \* - TANTALUM CAP
  - MF - MYLAR CAPS
  - - CERAMIC CAPS
  - 1- - DENOTES IN 4148 DIODE



SEA WOLF II MOTHER BOARD ASSEMBLY  
 P. C. A084-90002-B625  
 "B" VERSION

CHARACTERIZATION CARD  
 A084-91312-A625



SEA WOLF II MOTHER BOARD ASSEMBLY  
P. C. A084-9002-C625  
"C" VERSION

CHARACTERIZATION CARD  
A084-91312-1A625

12 PIN

7 PIN

6 PIN

5 PIN

A14F  
A14F

- 10,000ME 35V. +  
ELECTROLYTIC AXIAL

270Ω 1W  
36Ω  
100Ω POT  
0.1ME  
0.1ME

7812

A15F

2N4143

2N4143

2N4125

22ME  
+ - 25V.  
TANT.

A15F

3.6K

10K

15Ω

1K 1W

A15F

10K

10K

1K

2.2K

A15F

100Ω

IN4001

IN4001

IC80 COMP  
- O - FERRITE BEAD

- 20,000ME 16V. +  
ELECTROLYTIC AXIAL

0.18Ω 20% FUSE

2.7K

2N3055

100Ω POT

100PF

SG 3532

IN4001

IN4001

1750Ω

36Ω

36Ω

0.1ME

IN4001

2000ME 25V. +  
ELEC. AXIAL

100Ω POT

100Ω POT

0.1ME

IN4001

470ME 16V.  
RADIAL

200Ω

100Ω POT

0.1ME

IN4001

- 4700ME 25V. +  
ELEC. AXIAL

100Ω

470Ω

47ME  
+ - 25V.  
TANT.

IN4001

- 4700ME 25V. +  
ELEC. AXIAL

10Ω

10ME  
+ - 16V.  
TANT.

A15F

A15F

A15F

A14F

POWER SUPPLY  
A082-90401-B000

A15F

A15F

A15F

A15F

79M05

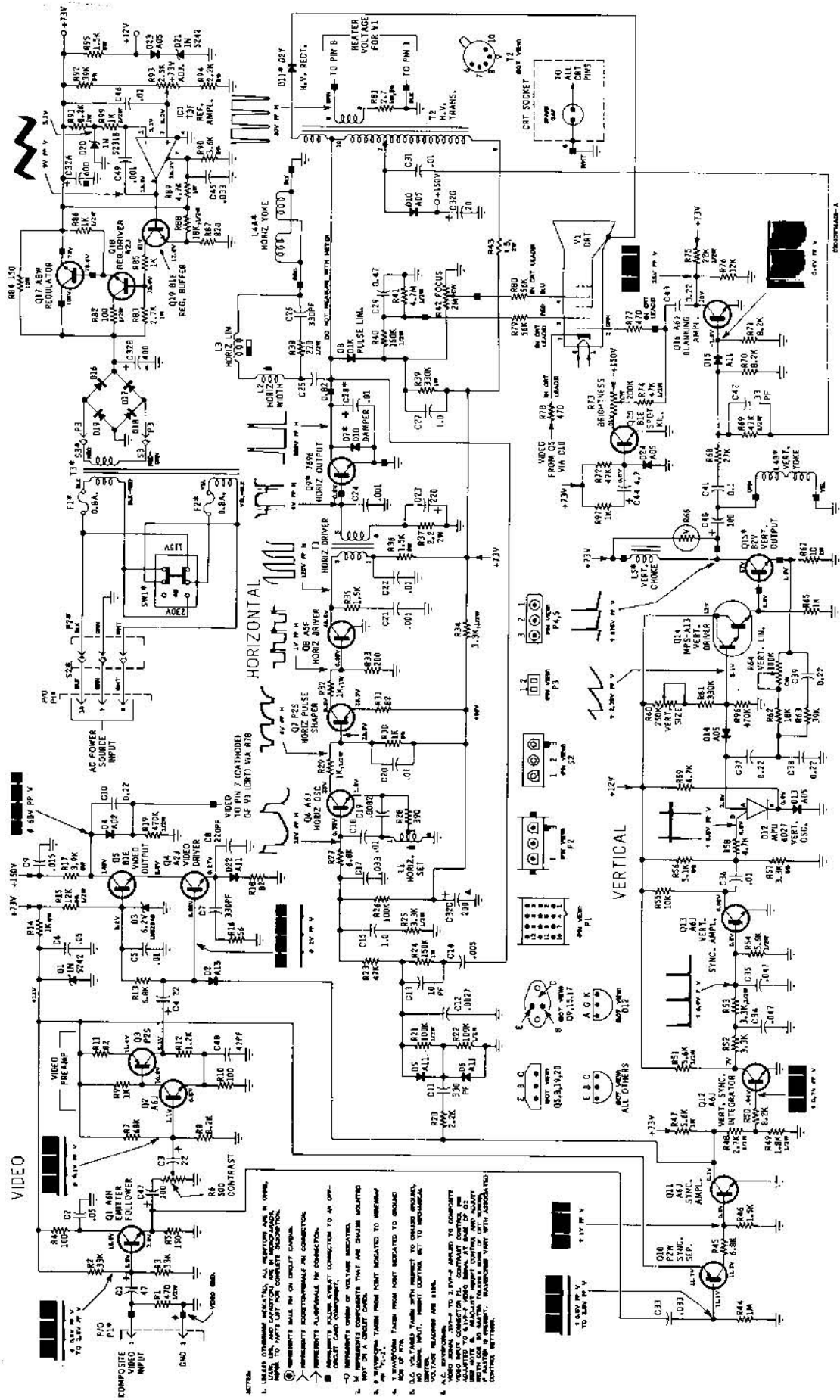
78M08





POWER SUPPLY

VIDEO



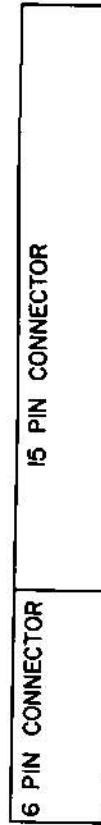
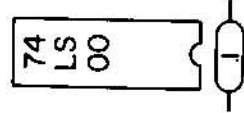
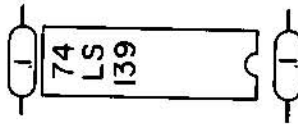
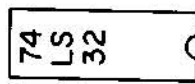
VIDEO

POWER SUPPLY

- NOTES
1. BEARER STRAPPING INDICATED BY ALL COMPONENTS ARE IN OHMS.
  2. ALL VOLTAGES UNLESS OTHERWISE INDICATED ARE TO GROUND.
  3. ALL VOLTAGES UNLESS OTHERWISE INDICATED ARE TO GROUND.
  4. ALL VOLTAGES UNLESS OTHERWISE INDICATED ARE TO GROUND.
  5. ALL VOLTAGES UNLESS OTHERWISE INDICATED ARE TO GROUND.
  6. ALL VOLTAGES UNLESS OTHERWISE INDICATED ARE TO GROUND.
  7. ALL VOLTAGES UNLESS OTHERWISE INDICATED ARE TO GROUND.
  8. ALL VOLTAGES UNLESS OTHERWISE INDICATED ARE TO GROUND.
  9. ALL VOLTAGES UNLESS OTHERWISE INDICATED ARE TO GROUND.
  10. ALL VOLTAGES UNLESS OTHERWISE INDICATED ARE TO GROUND.

M5000-155, M7000-155 - Diagram Schematic

P.C. A084-91312-B625 SEA WOLF II



DNA  
MIDWAY MFG. CO.  
A BALLY CO.  
CHARACTERIZATION CARD